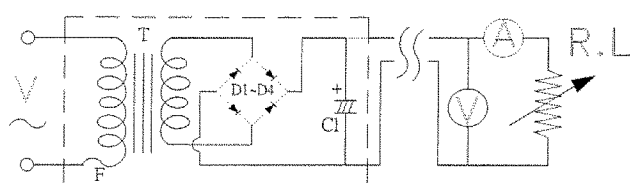
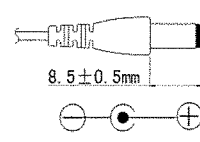
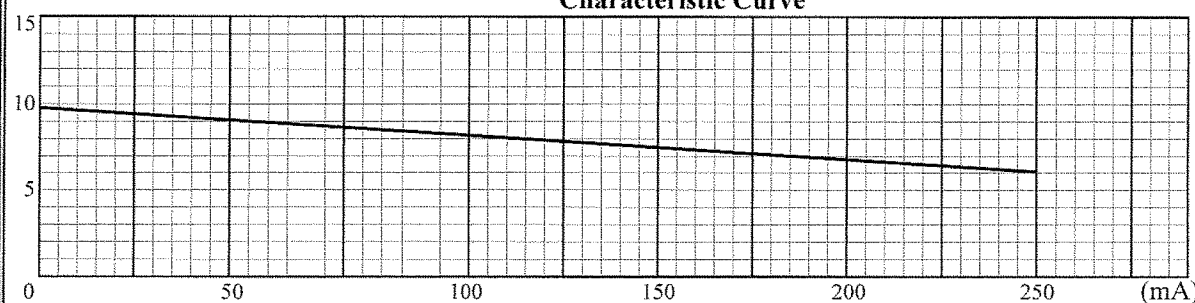
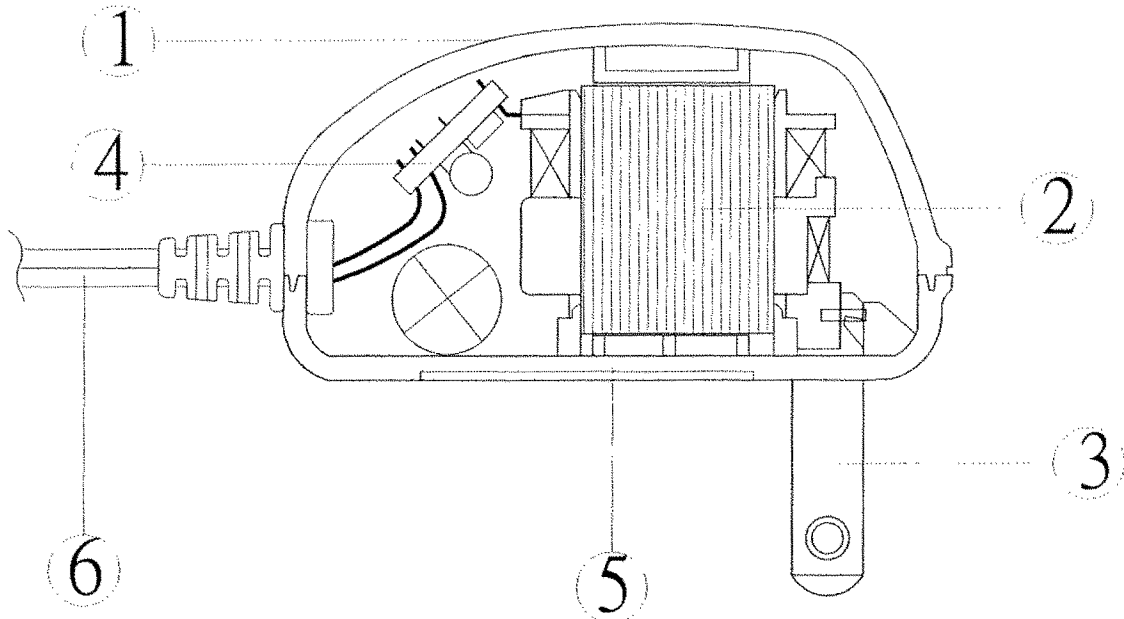


TEST DATA

ITEM	SPEC	SAMPLE									
		1	2	3	4	5	6	7	8	9	10
Primary Exciting Current Input 120VAC , 60 Hz	40 mA max	34	28	30							
Primary Load Current Input 120VAC , 60 Hz	55 mA max	39	36	38							
Secondary No Load DC Voltage	9.8V ±5%	9.54	9.5	9.47							
Secondary DC Voltage Load 250 mA	6V ±0.5V	5.9	5.84	5.84							
Secondary Voltage Load mA	V ± %										
Secondary Voltage Load mA	V ± %										
Secondary Voltage Load mA	V ± %										
Secondary Voltage Load mA	V ± %										
Ripple Voltage Load 250 mA (PK-PK)	1.5V max	1	1	1							
Hi-Pot Test 3 mA for 3Sec.	Pri. to Sec.	2K VAC	OK	OK	OK						
	Pri. to Core	2K VAC	OK	OK	OK						
	Sec. to Core	1.5K VAC	OK	OK	OK						
Temperature Rise: 70°C MAX measured By Resistance Method (Primary Winding)											
Core Film: SPLIT						Core : EI-28					
Testing Circuit: 1000uF/16V											
						Output Plug Drawing: PLUG:3.5*1.35mm 					
Output conductor length: 6FT min (AWG#24)											
Input conductor length: ft min (AWG#)											
(V) Characteristic Curve											
											

DC Adaptor Specifications

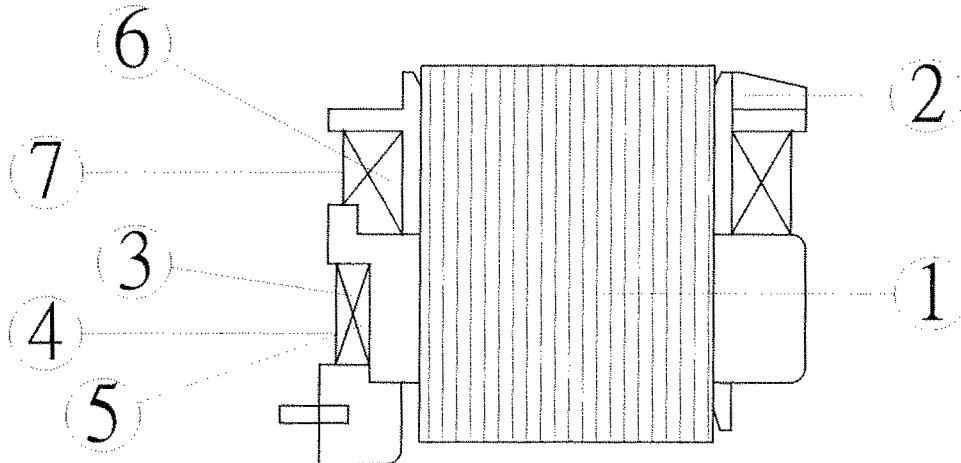
Internal Construction Drawing and Parts List (Unit: Set or EA)



Part Name	Specification	Q'ty
1. Enclosure	Noryl SE1 94V-0 105°C	
	Noryl SE-100 94V-0 95°C	
	Noryl PX1700 94V-0 95°C	
	940(f1) 94V-0 130°C	
2. Transformer	EI-28	1
3. Blade	Ni plated brass	2
4. Print Wiring Board Assembly		
Print Wiring Board	04V0 94V-0 130°C	1
	11 94V-0 105°C	
	13 94V-0 130°C	
	BF-3 94V-0 130°C	
Diode	1A 400-700V IN4004-IN4007	4
Capacitor	1000uf 16V 85°C	1
5. Name Plate	Polyester Film	1
6. Output Cord	AWG# 24 6FT min	1

DC Adaptor Specifications

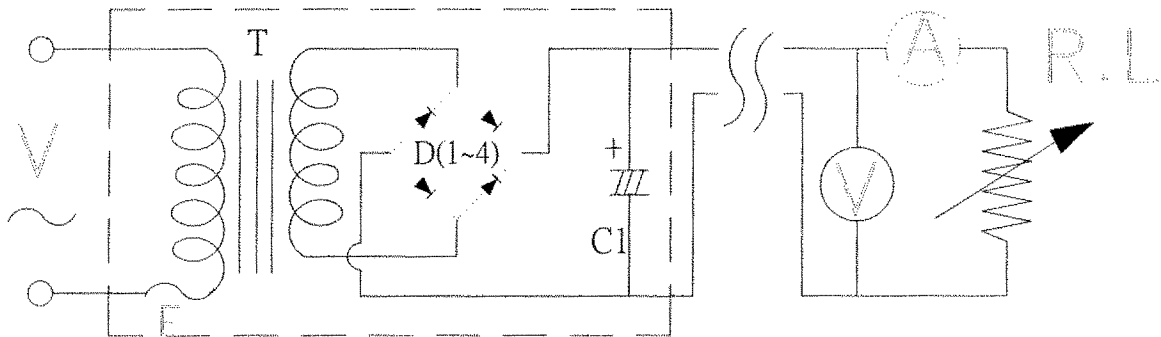
Construction Drawing and Details of Transformer



Part Name	Material & Type	Spec or Q'ty
1. Core	Silicon Steel	0.5mm
	Polybutylene Terephthalate	
2. Bobbin	1403G6	0.71mm
	PETP(QMFZ2)	
	FR-530, FR530L	
	Nylon 101L	
3. Primary Winding	Polyurethane Enameled Copper wire	mm turn ohm
4. Primary Outer Winding	Mylar Tape	0.025mmx2T
5. Thermal Fuse	A3 125°C 2A 250VAC	1PCS
	K3 125°C 2A 250VAC	
	M30 125°C 2A 250VAC	
6. Secondary Winding	Polyurethane Enameled Copper Wire	mm turn ohm
7. Secondary Outer Winding	Mylar Tape	0.025mmx2T

DC Adaptor Specifications

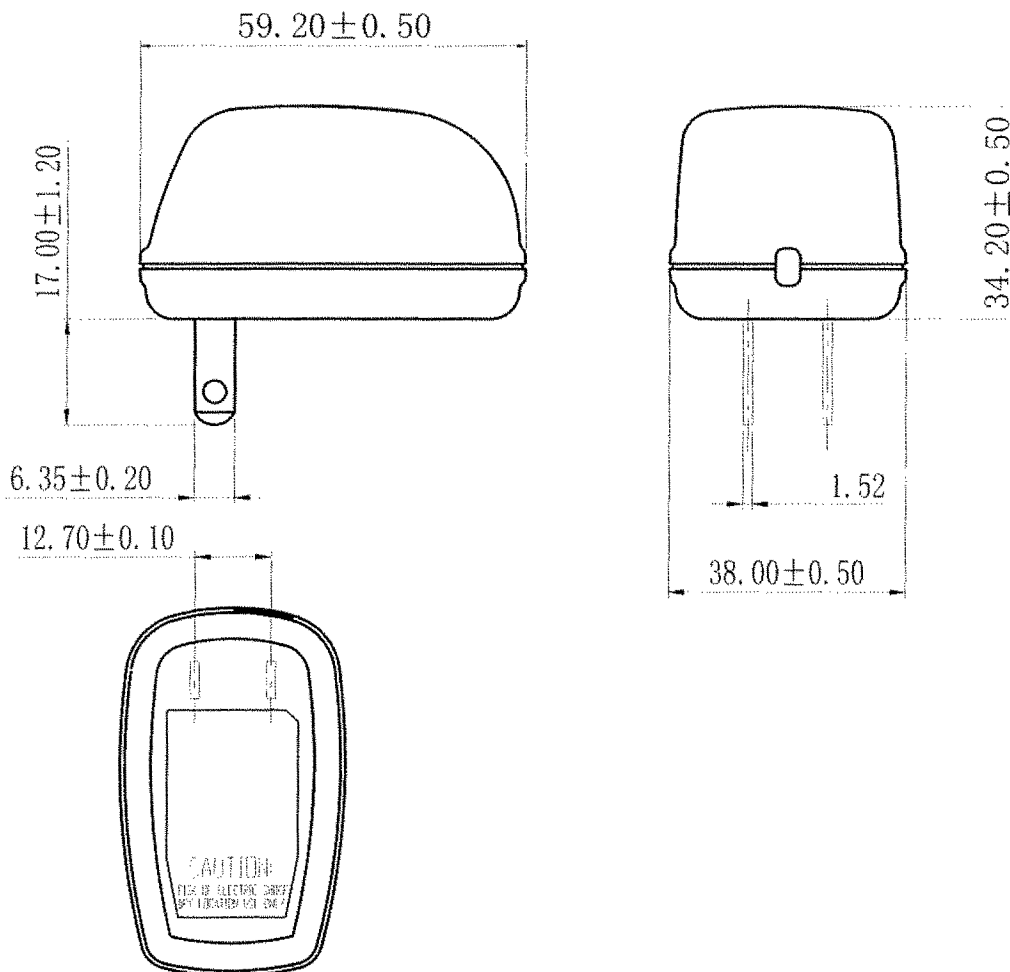
Circuit Diagram



Symbol	Part Name	Note
T	Transformer	EI-28
D(1~4)	Diode	1A 400-700V IN4004-IN4007
C1	Capacitor	1000uF 16V 85°C
F1	Thermal	125°C 2A 250V

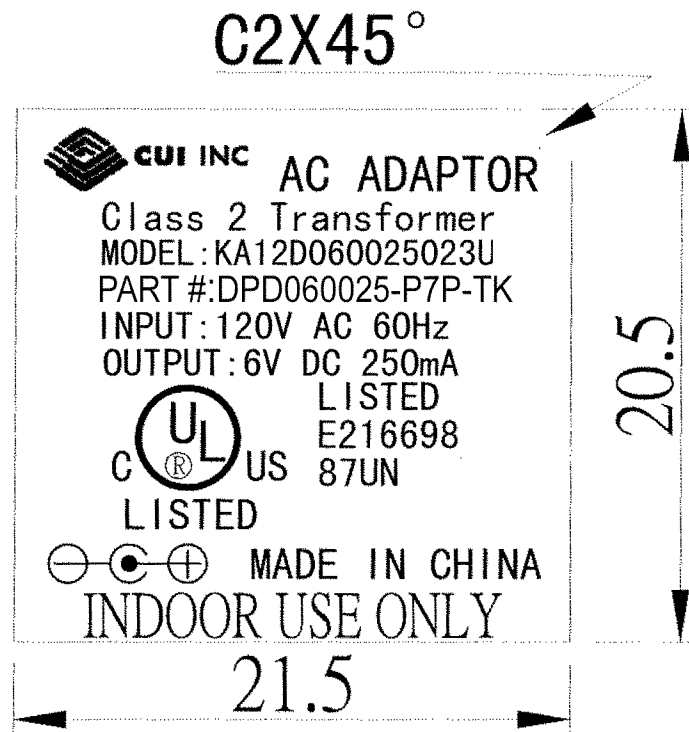
AC Adaptor Specifications

Appearance Drawing (Unit:mm)



DC Adaptor Specifications

Dimension of Nameplate (Unit:mm)



Material: Polyester Film

T: 0.25mm